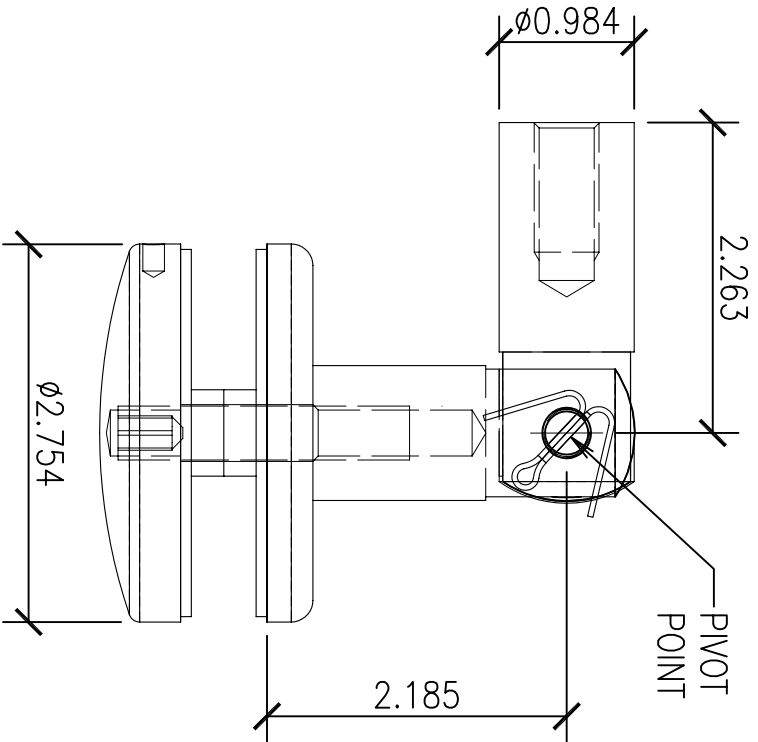


PLANVIEW



SECTION

TIT0Z PART #	CN.003.01.16.M
DRAWING FILE NAME	CANOPY ROD TO GLASS
PART DESCRIPTION	CANOPY ROD TO GLASS FITTING