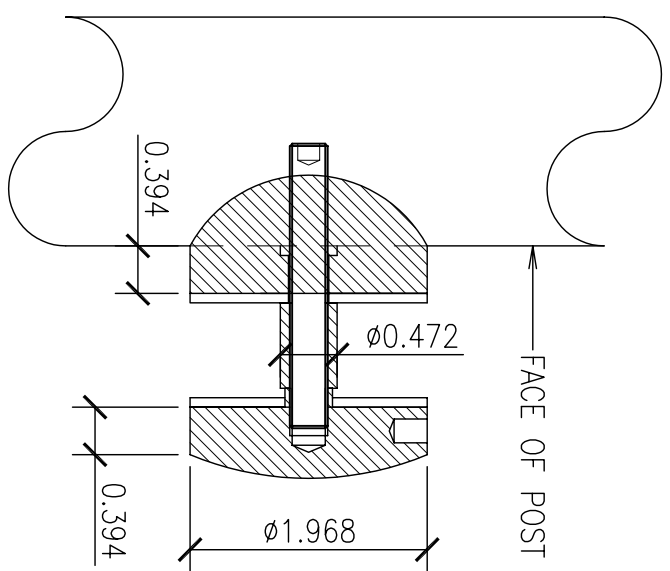


PLANVIEW



SECTION

TIT0Z PART #	GH.050.04.04.M
DRAWING FILE NAME	GLASS BUTTON FOR POST
PART DESCRIPTION	GLASS BUTTON FOR 1.9"Ø POST