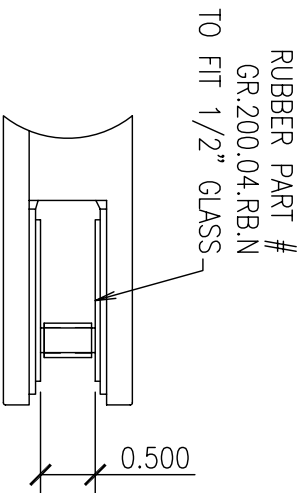
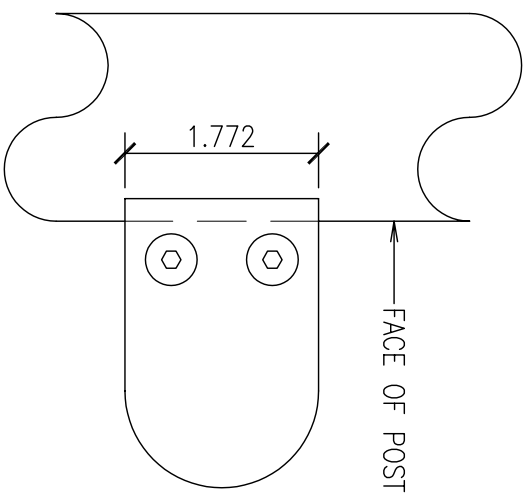


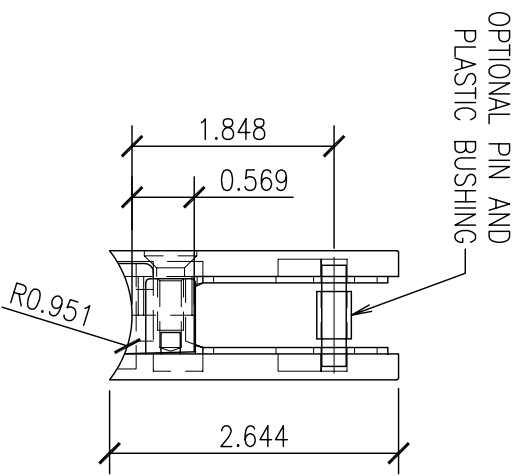
ASSEMBLY FOR 3/8" GLASS



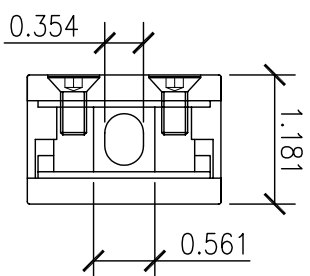
ASSEMBLY FOR 1/2" GLASS



ELEVATION



PLANVIEW



SECTION

TITIZ PART #	GC.204.XX.16.M
DRAWING FILE NAME	GLASS CLAMP ROUND
PART DESCRIPTION	ROUND GLASS CLAMP FOR 1.9"Ø POST