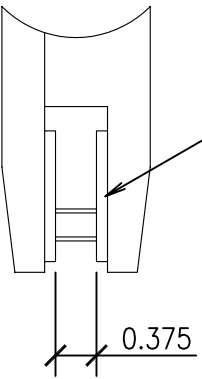
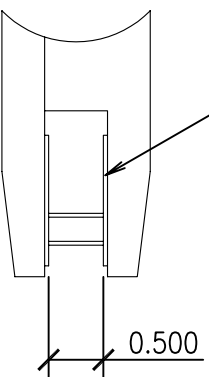


RUBBER PART #  
GR.410.03.RB.N  
TO FIT 3/8" GLASS

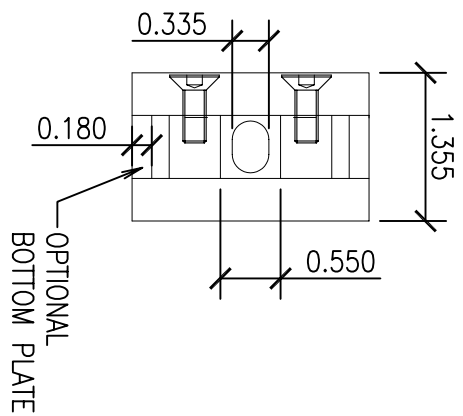
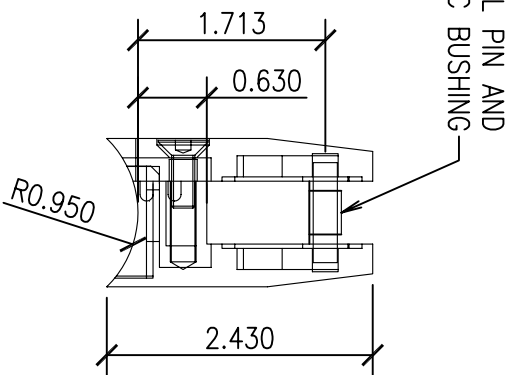
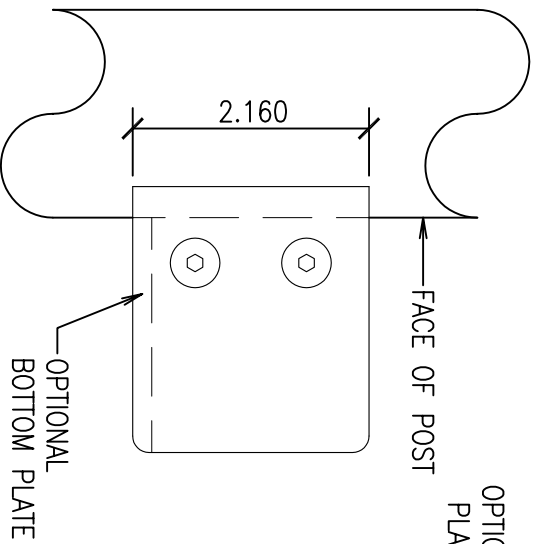


RUBBER PART #  
GR.410.04.RB.N  
TO FIT 1/2" GLASS



ASSEMBLY FOR 3/8" GLASS

ASSEMBLY FOR 1/2" GLASS



ELEVATION

PLANVIEW

SECTION

TIT0Z PART #	GC.414.XX.16.M
DRAWING FILE NAME	GLASS CLAMP SQUARE
PART DESCRIPTION	SQUARE GLASS CLAMP FOR 1.9"Ø POST