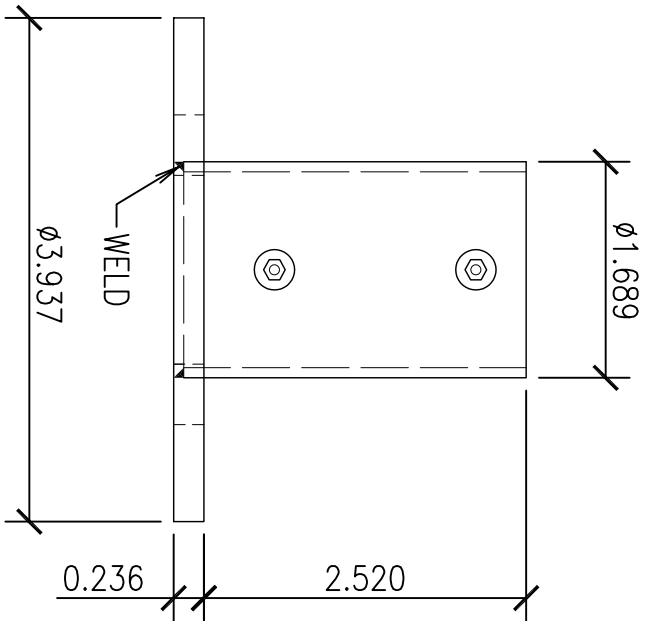


PLANVIEW



ELEVATION

TITTOZ PART #	UC.004.24.04.M
DRAWING FILE NAME	GUARDRAIL POST INSERT WITH BASE
PART DESCRIPTION	BASE PLATE INSERT FOR 1.9"Ø POST, 13 GA.