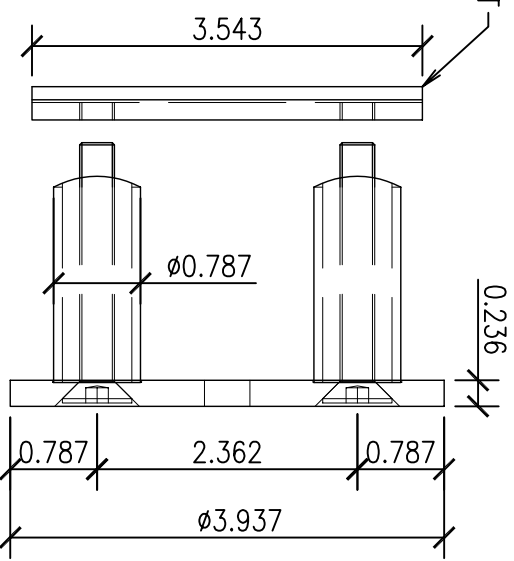
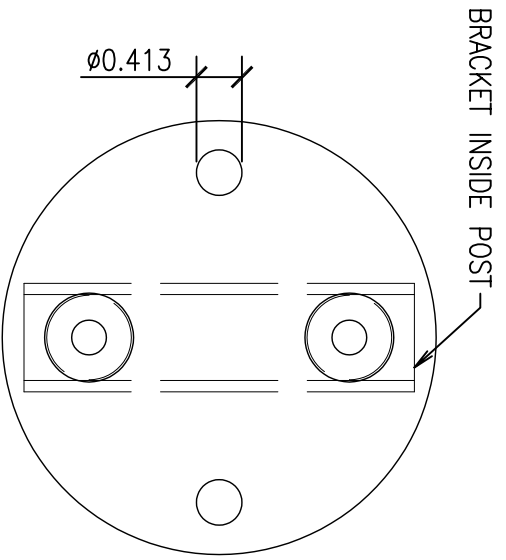


PLANVIEW



SECTION



ELEVATION

TITIOZ PART #	UC.005.04.04.M
DRAWING FILE NAME	GUARDRAIL POST SIDE MOUNT CLAMP
PART DESCRIPTION	SIDE MOUNT PLATE WITH SPACERS FOR 1.9"Ø POST