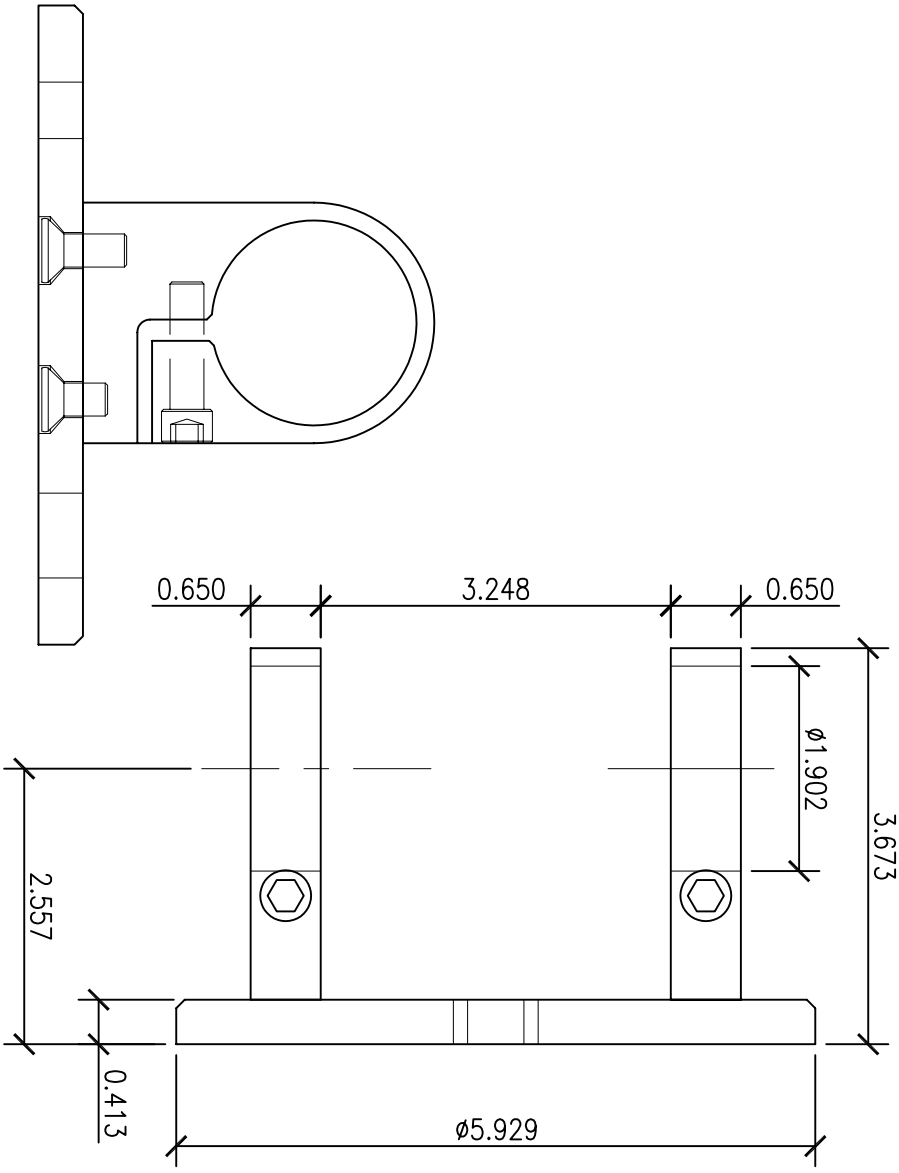
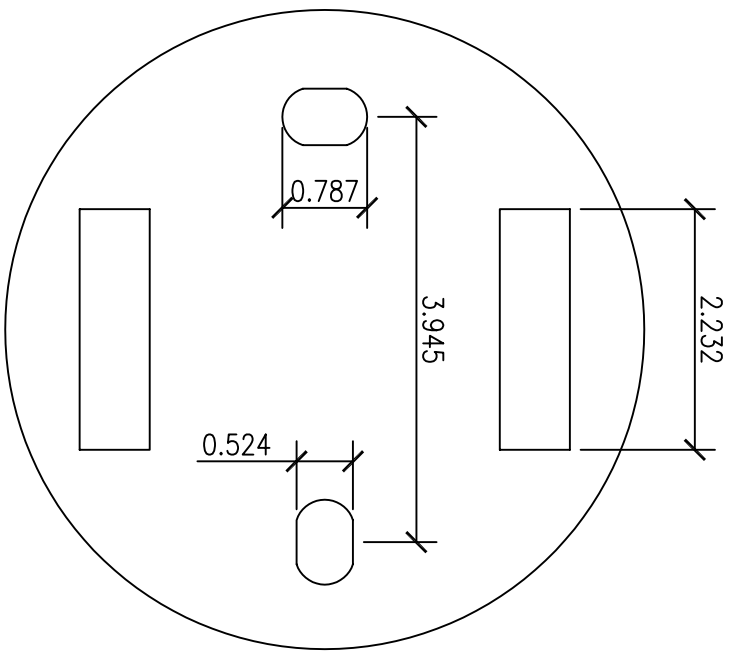


PLANVIEW



SECTION



ELEVATION

TITDZ PART #	UC.002.04.04.M
DRAWING FILE NAME	GUARDRAIL POST SIDE MOUNT
PART DESCRIPTION	SIDE MOUNT PLATE FOR 1.9"Ø POST