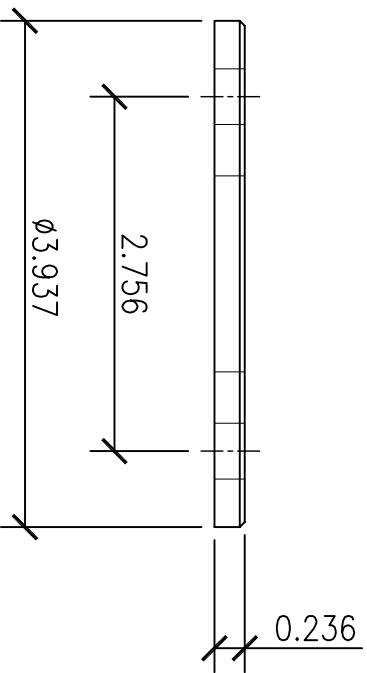


PLANVIEW



SECTION

TIT0Z PART #	PW.100.16.04.M
DRAWING FILE NAME	HANDRAIL POST PLATE
PART DESCRIPTION	BASE PLATE FOR 1.5"Ø POST