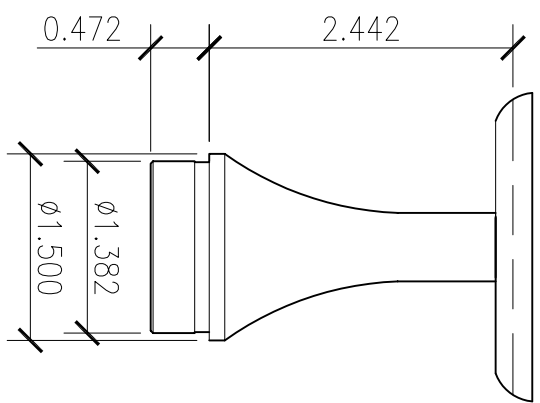
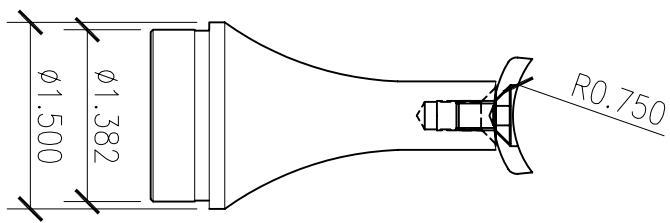


**PLANVIEW**



**ELEVATION**



**SECTION**

TITTOZ PART #	TF.205.15.04.M
DRAWING FILE NAME	HANDRAIL POST SADDLE CASTING FIXED
PART DESCRIPTION	SADDLE FOR 1.5"Ø HANDRAIL/1.5" POST, 18 GA