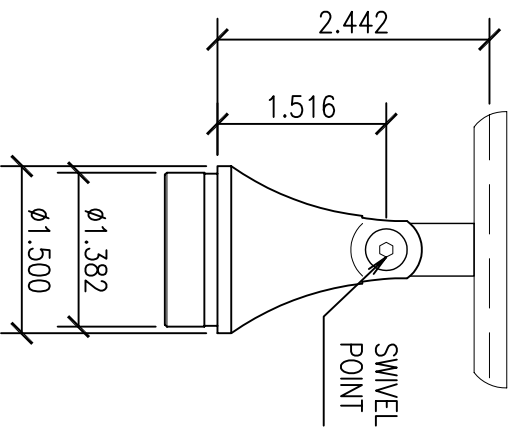
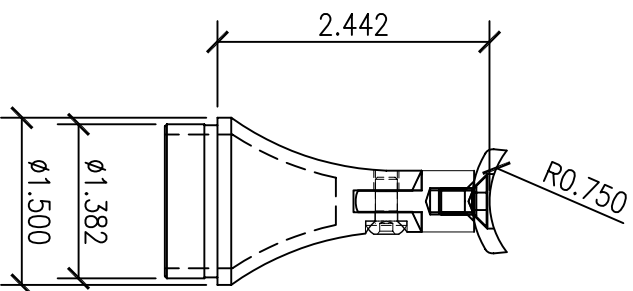


PLANVIEW



ELEVATION



SECTION

TIT0Z PART #	TS.205.15.04.M
DRAWING FILE NAME	HANDRAIL POST SADDLE CASTING SWIVEL
PART DESCRIPTION	SWIVEL SADDLE FOR 1.5"Ø HANDRAIL/1.5" POST, 18 GA