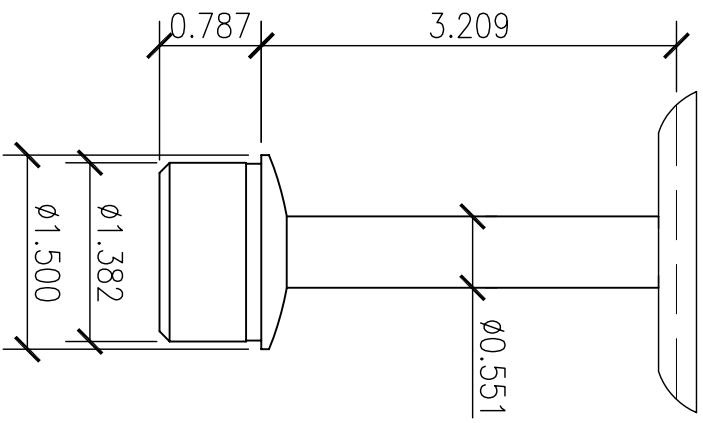
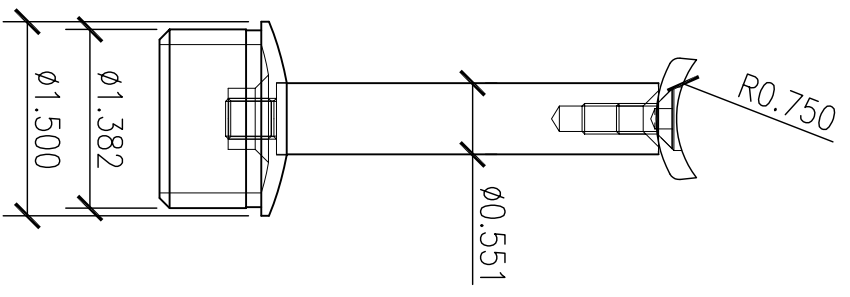


PLANVIEW



ELEVATION



SECTION

TITTOZ PART #	TF.106.06.04.M
DRAWING FILE NAME	HANDRAIL POST SADDLE STEM FIXED
PART DESCRIPTION	SADDLE FOR 1.5"Ø HANDRAIL/1.5" POST, 18 GA