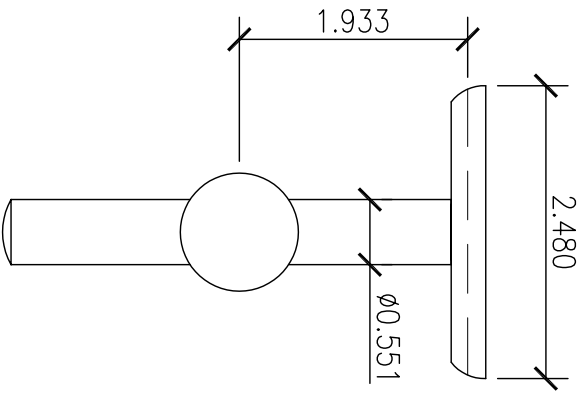
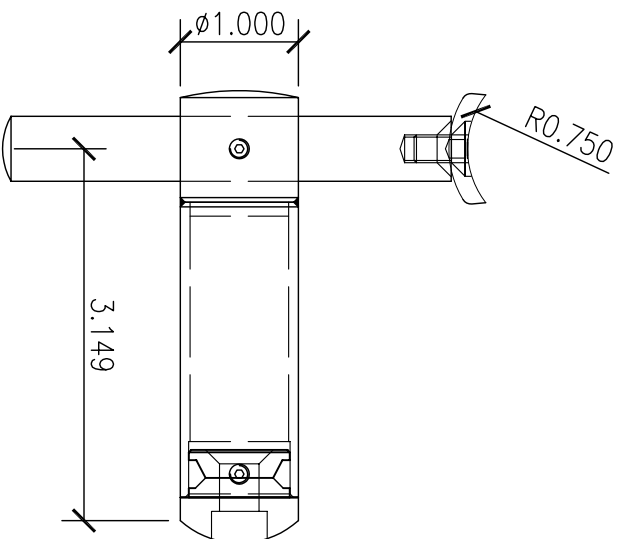


PLANVIEW



ELEVATION



SECTION

TIT0Z PART #	HF.006.06.04.M
DRAWING FILE NAME	POST BRACKET FOR HANDRAIL
PART DESCRIPTION	BRACKET FOR 1.5"Ø POST, 1.5"Ø HANDRAIL