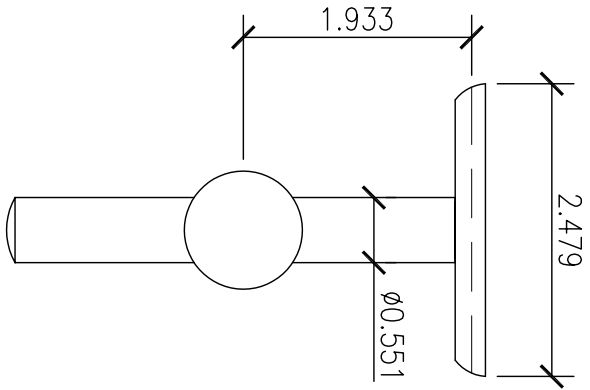
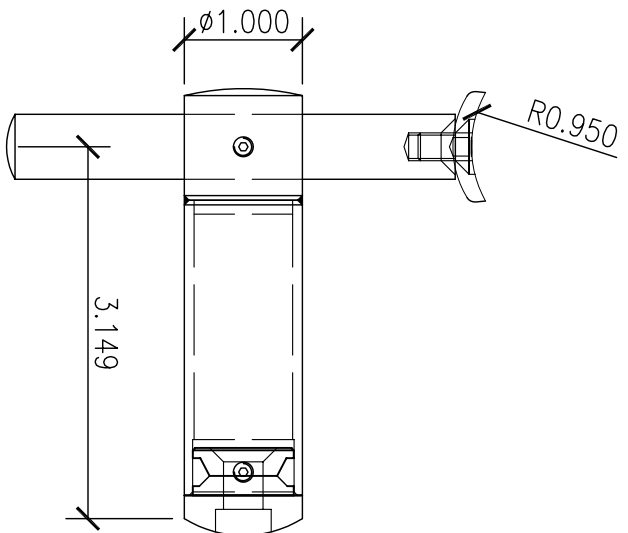


PLANVIEW



ELEVATION



SECTION

TIT0Z PART #	HF.004.04.04.M
DRAWING FILE NAME	POST BRACKET FOR TOPCAP
PART DESCRIPTION	BRACKET FOR 1.9"Ø POST, 1.9"Ø TOPCAP