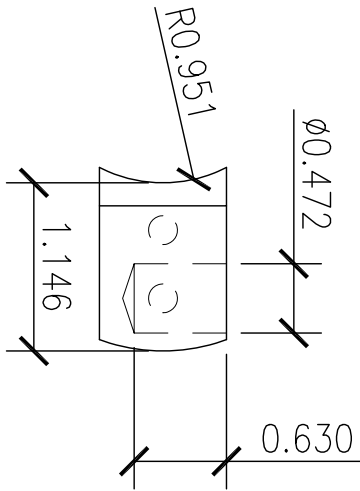


TITTOZ PART #	HD.314.02.04.M
DRAWING FILE NAME	ROD HOLDER LEFT END
PART DESCRIPTION	END HOLDER FOR 7/16"Ø ROD, 1.9"Ø POST

PLANVIEW



ELEVATION

