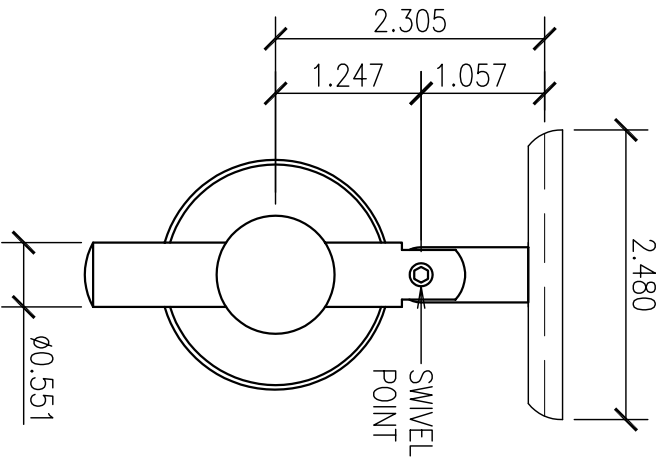
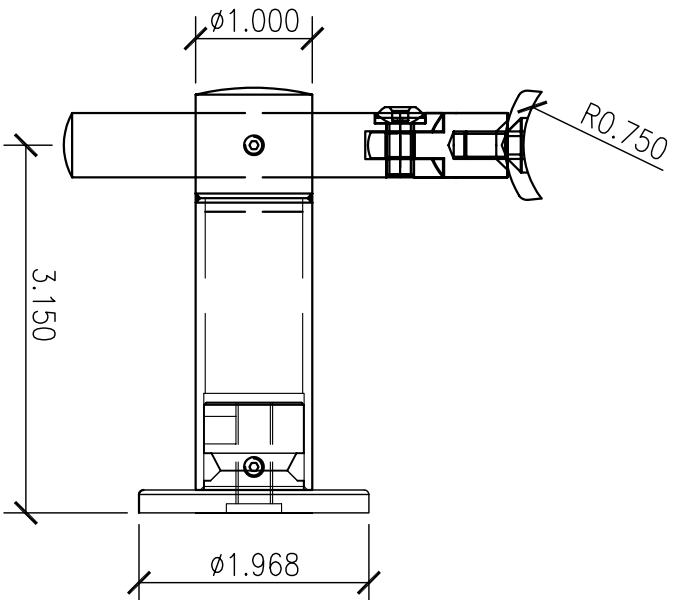


PLANVIEW



ELEVATION



SECTION

TITTOZ PART #	WS.001.06.04.M
DRAWING FILE NAME	WALL BRACKET FOR HANDRAIL
PART DESCRIPTION	SWIVEL WALL BRACKET FOR 1.5"Ø