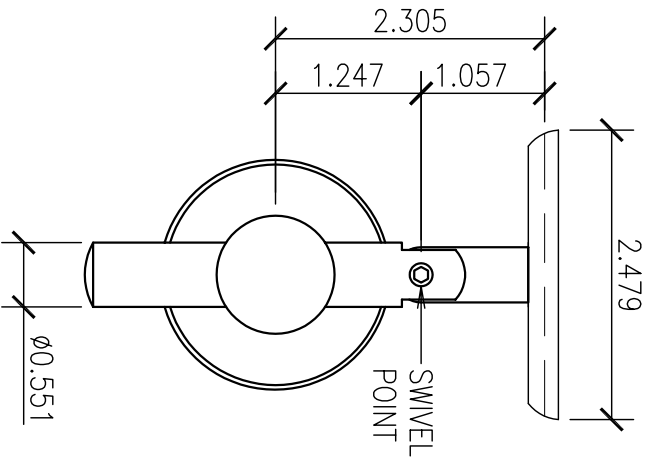
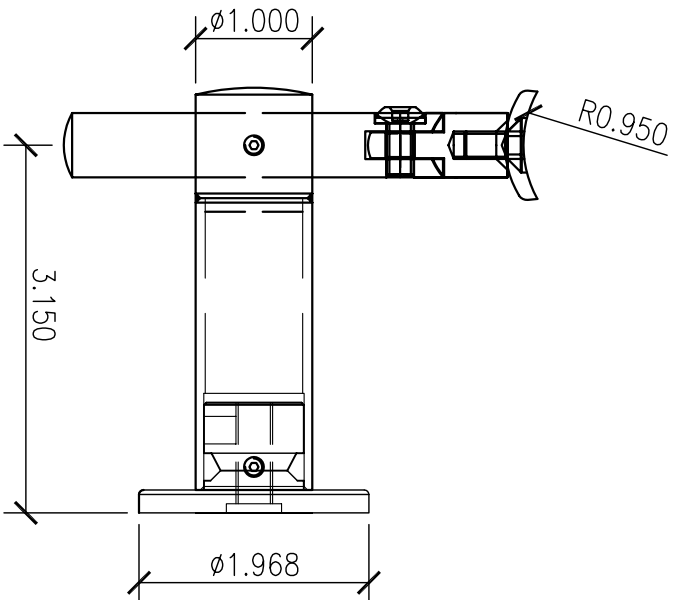


PLANVIEW



ELEVATION



SECTION

TITTOZ PART #	WS.001.04.04.M
DRAWING FILE NAME	WALL BRACKET FOR TOPCAP
PART DESCRIPTION	SWIVEL WALL BRACKET FOR 1.9"Ø