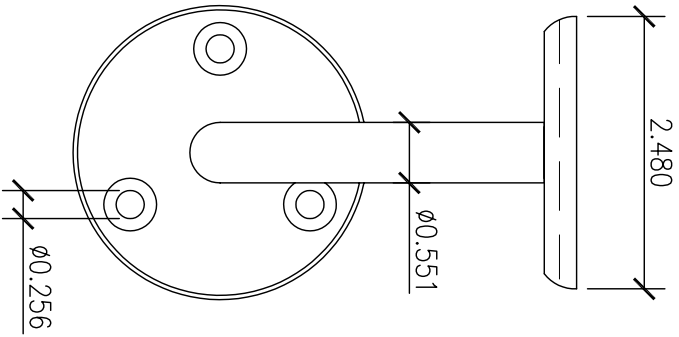
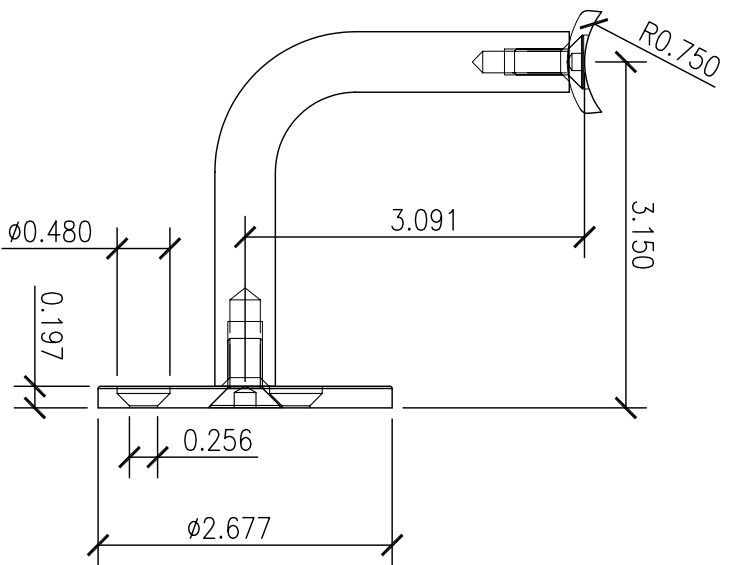


PLANVIEW



ELEVATION



SECTION

TITTOZ PART #	WB.110.06.04.M
DRAWING FILE NAME	WALL BRACKET HOLES BEND ROD FOR HANDRAIL
PART DESCRIPTION	WALL BRACKET W/ BEND ROD AND HOLES FOR 1.5"Ø